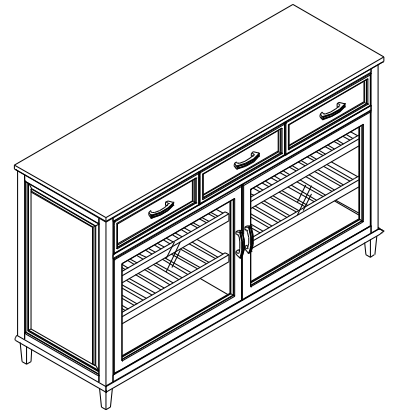


Warning :

- Be sure to check all packing material carefully for small parts, which may have come loose inside the carton during shipment.
- To prevent possible scratches and damage, this furniture **MUST BE ASSEMBLED BY TWO PEOPLE** on a soft surface such as a blanket or carpet.

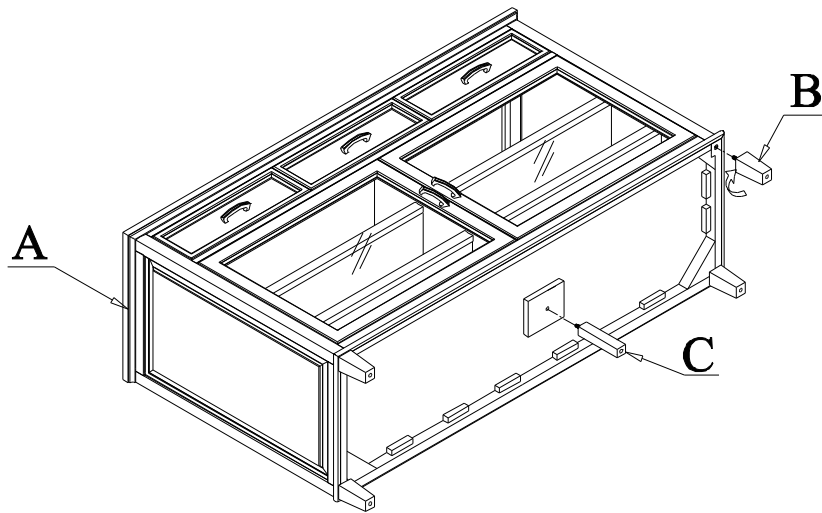


#12056
Sideboard

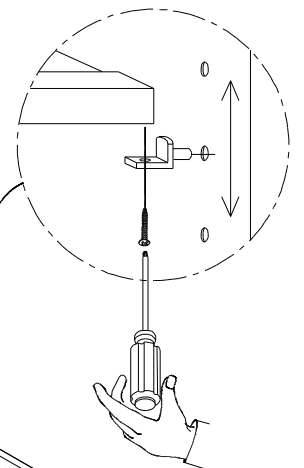
Components and Hardware List

| | | | |
|--|-----------------------------------|---|---|
| <p>Sideboard</p> <p>A 1 pc.</p> | <p>Leg</p> <p>B 4 pcs.</p> | <p>Center Leg</p> <p>C 1 pc.</p> | <p>Anti-tip Restraint Kit</p> <p>D 1 pc.</p> |
|--|-----------------------------------|---|---|

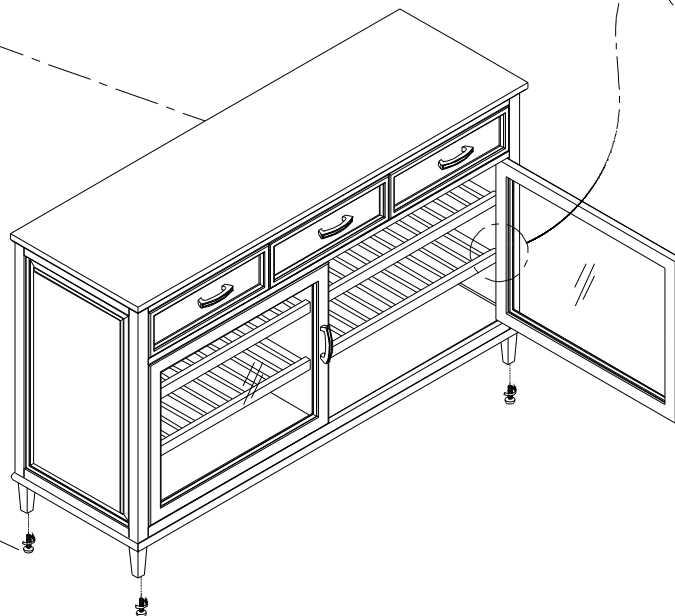
Step 1



Step 2



Adjustable Leveler



For product and personal safety, a Anti-Tip Restraint kits have been included with this cabinet which can help to minimize the risk of the cabinet accidentally tipping forward, if used and properly installed.